



PROJECT		REF		REV	ITEM CODE	
LOCATION		DATE			PAGE	

SANITARY WARE SPECIFICATION SHEET

Item Descriptions	GROHE (Germany) "Essence" Brushed warm sunset single-lever mixer with 3-way diverter	<p>Illustration/ Drawing</p> <p>Ø 158, 106-136, 30, 200, 50°, 50°, 65-95, 146, 135, 145, 96, 176, 75-105, 25, Ø138, Ø142</p>
Dimensions	L158 x W136 x H200 mm	
Model	24092DL1 (Mixer) 35600000 (Mounting box)	
Finish	Brushed Warm Sunset	
Country of origin	Germany	
Manufacturer	GROHE Limited	
Supplier	Acme Sanitary Ware Co. Ltd Mr. Eric Wong/ Mr. Don Yuen	
Contact Tel/Fax E-mail Website	(852) 2388-7171 / (852) 2710-8012 acme@acmesanitary.com.hk www.acmesanitary.com.hk	

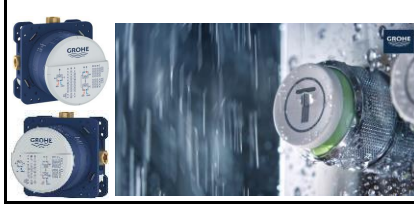


"Essence"
Single-lever mixer with 3-way diverter

- set for final installation for
- GROHE Rapido SmartBox 35 600 000
- **GROHE SilkMove** 46 mm ceramic cartridge
- **GROHE StarLight** finish
- wall escutcheon with **GROHE QuickFix** (covered escutcheon- and shaft sealing, covered fixing)
- metal escutcheon, retroactively 6° adjustable
- metal lever
- **3-way diverter**
- flow performance:
outlet A = 27 l/min,
outlet B = 27 l/min,
outlet C = 27 l/min
- **without roughing-in-set**

GROHE Rapido SmartBox

- Universal rough-in box, 1/2"
- 3 outlets 1/2"
- 2 inlets below, 1/2"
- installation depth 75-105 mm
- connection unit in DR brass
- pre-mounted flushing plug
- stable build-in box and protective cover
- fixing options for solid walls and dry cladding
- gasket
- without set for final installation



- Colour options:**
- 001 | StarLight Chrome
 - DC1 | SuperSteel
 - DA1 | Warm Sunset
 - A01 | Hard Graphite
 - AL1 | Brushed Hard Graphite
 - GL1 | Cool Sunrise
 - GN1 | Brushed Cool Sunrise
 - DL1 | Brushed Warm Sunset
 - BE1 | Polished Nickel
 - EN1 | Brushed Nickel

Note: [YouTube \(GROHE Essence\) https://www.youtube.com/watch?v=GZoUbmtWwZ4](https://www.youtube.com/watch?v=GZoUbmtWwZ4)
[YouTube \(Rapido SmartBox | Installation Video\) https://www.youtube.com/watch?v=KsWdVrq9fVI](https://www.youtube.com/watch?v=KsWdVrq9fVI)

* All information of the above is for the reference only. No prior notice is made if any changes.



Acme Sanitary Ware Co Ltd

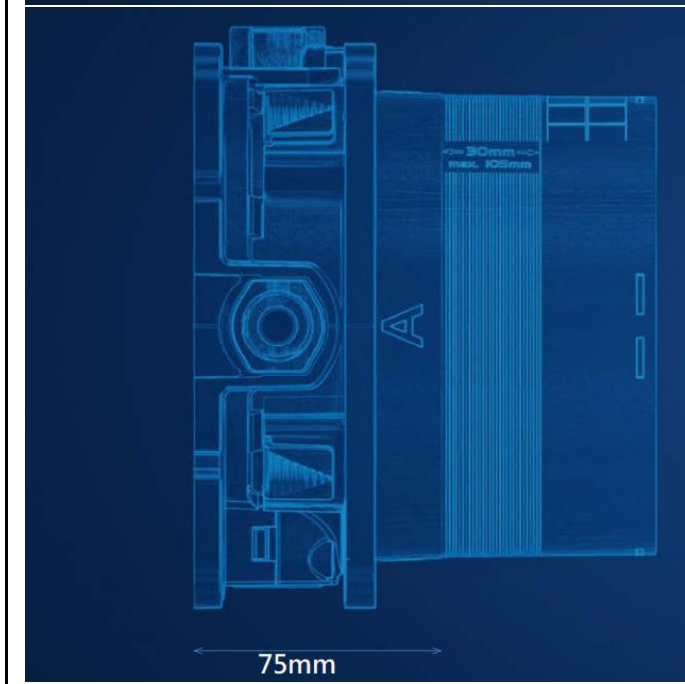
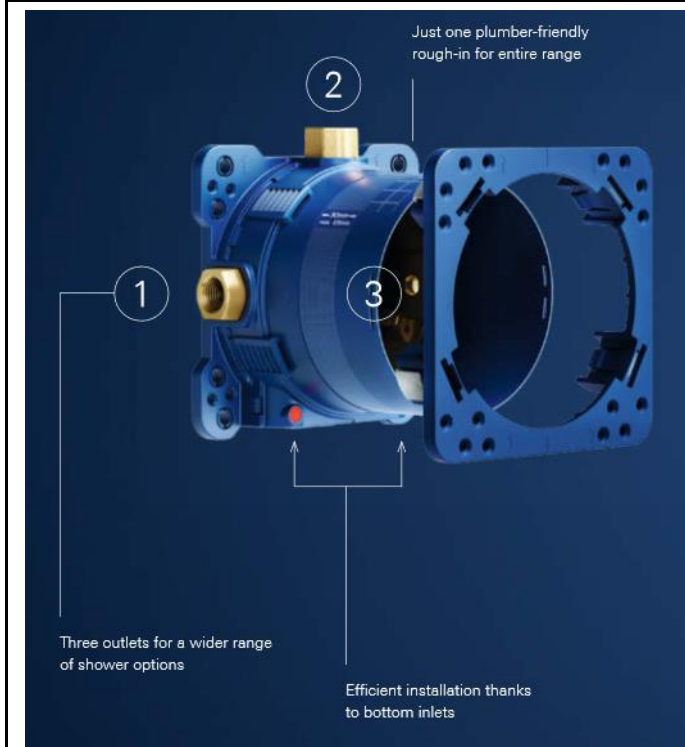
Acme Building, 22-28 Nanking Street, Kowloon, Hong Kong
Tel: 2388 7171 Fax: 2710 8012
E-mail: acme@acmesanitary.com.hk
Website: www.acmesanitaryware.com.hk



Pure Freude
an Wasser

PROJECT		REF		REV	ITEM CODE	
LOCATION		DATE			PAGE	

SANITARY WARE SPECIFICATION SHEET



Note:

* All information of the above is for the reference only. No prior notice is made if any changes.